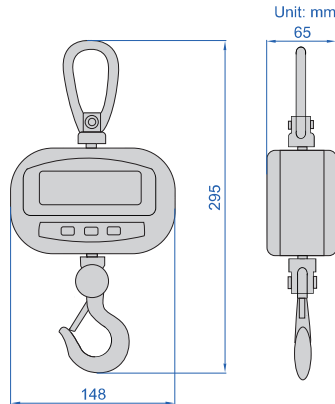


DIRECT VIEW ELECTRONIC CRANE SCALES (BASIC TYPE)

- Plastic case
- 360° safe rotary hook and shackle
- Zero-setting, weighing, subtracting tare value
- Remote control
- Overload alarm
- Automatic power off
- Unit: lb, kg



SPECIFICATION

Code	8202-50KG	8202-150KG	8202-300KG
Weighing capacity	50kg	150kg	300kg
Minimal load	0.4kg	1.0kg	2.0kg
Readability (d)	0.02kg	0.05kg	0.1kg
Selectable resolution	0.01kg	0.02kg	0.05kg
Repeatability	±0.02kg	±0.05kg	±0.1kg
Linearity	±0.04kg	±0.1kg	±0.2kg
Stabilization time	8s		
Operating temperature	-10~40°C		
Operating humidity	30~90%RH		
Overload alarm	100%FS+9d		
Maximum safe load	125%FS		
Limited overload	400%FS		
Power supply	4×1.5V AA batteries		
Dimension (L×W×H)	148×65×295mm		



8202-150KG



Remote controller
(included)

STANDARD DELIVERY

Main unit	1 pc
Remote controller	1 pc